



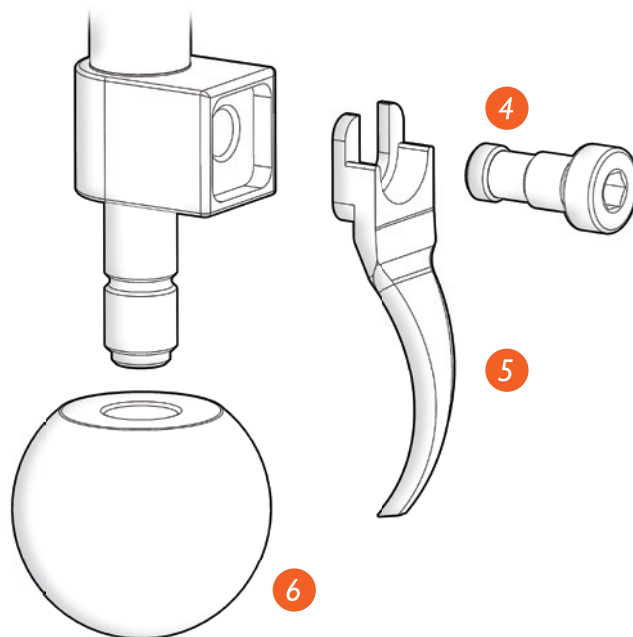
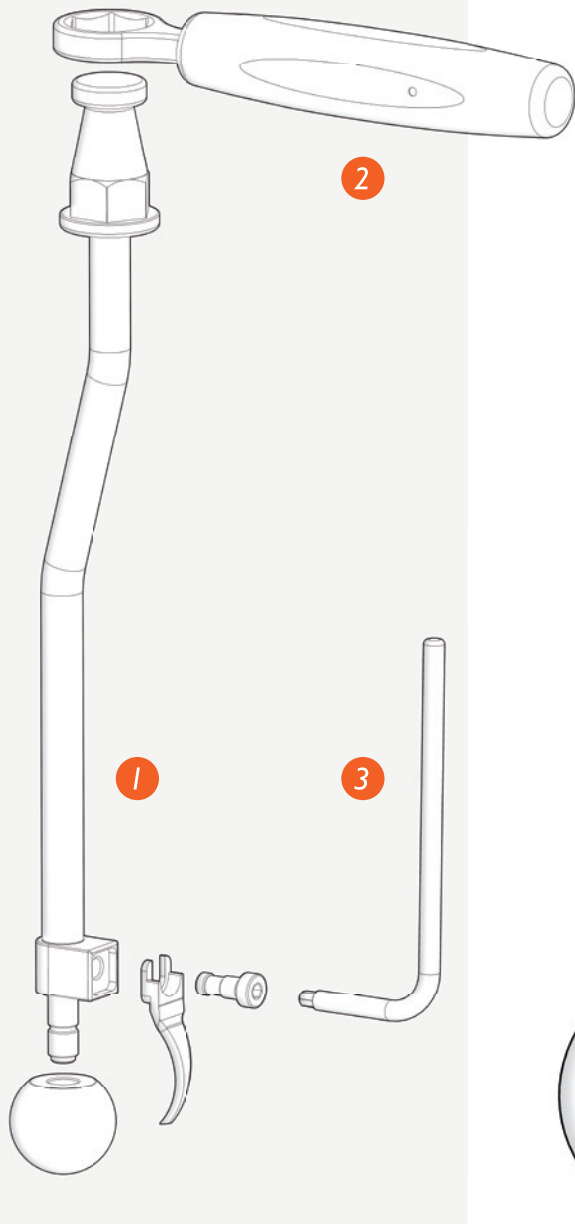
NOVIOMAGUS CUP RESECTOR

FOR REMOVAL OF UNCEMENTED ACETABULAR CUPS



REMOVAL OF UNCEMENTED ACETABULAR CUPS

The Noviomagus Cup Resector is designed to remove uncemented acetabular cups in a safe and effective way. The resector minimizes acetabular bone loss at the bone-prosthesis interface during cup removal. The Noviomagus Cup Resector comprises a shaft, wrench, head, bolt and a blade. The instrument is made of high quality stainless steel which makes it an extremely durable device.



- 1 Shaft
- 2 Wrench
- 3 Hex Key
- 4 Bolt
- 5 Blade
- 6 Head

REUSABLE HARDENED BLADES

The Noviomagus Cup Resector has eight different sizes of blades, ranging from 46 mm to 60 mm with 2 mm increments. The blade size corresponds with the outside cup diameter. Each size has a starter and a finisher blade, for cutting the bone-prosthesis interface in two stages. The blades are reusable, easily interchangeable and made of hardened stainless steel.



STARTER blade



FINISHER blade



ADVANCED BENEFITS

- Minimal acetabular bone loss.
- Controlled cup removal.
- Reusable, hardened stainless steel blades.
- Wrench with a robust grip, which can be placed in six different positions.
- Eight sizes of starter and finisher blades, ranging from 46 mm to 60 mm with 2 mm increments.
- Three sizes of centering heads Ø28 mm, Ø32 mm and Ø36 mm.

MODULAR DESIGN

The instrument has a modular design. During assembly a modular head, modular blade and a wrench can be mounted on the shaft.

The set comes with three heads of different size, for centering the instrument inside the cup. The heads are sized: Ø28 mm, Ø32 mm and Ø36 mm and correspond with the inside cup diameter.

Once the inside and outside diameter of the cup has been determined, two

instruments can be assembled. One shaft for the starter blade and one for the finisher blade. This eliminates the need for intra-operative blade change, saving surgery time.

The shaft of the Noviomagus Cup Resector is designed to transfer the impaction force to the cutting edge of the blade instead of the centering head. This reduces the force needed for cutting the bone-prosthesis interface.

The set comes with a detachable wrench which can be placed in six different positions. This enables the surgeon to place the wrench in the correct position for optimal torque application.



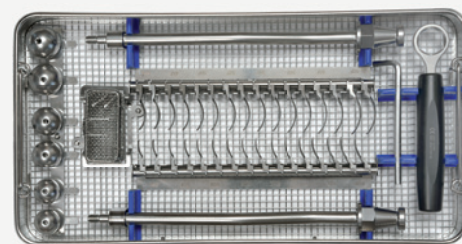
ORDERING INFORMATION

NOVIOMAGUS CUP RESECTOR - INSTRUMENT SET

Shaft	NCR-1707-01	Sterilization Tray	NCR-1707-06
Wrench	NCR-1707-02	Head Ø28	NCR-1707-28
Bolt	NCR-1707-04	Head Ø32	NCR-1707-32
Hex Key	NCR-1707-05	Head Ø36	NCR-1707-36

NOVIOMAGUS CUP RESECTOR - BLADES

Blade 46 Starter	NCR-1707-46S	Blade 46 Finisher	NCR-1707-46F
Blade 48 Starter	NCR-1707-48S	Blade 48 Finisher	NCR-1707-48F
Blade 50 Starter	NCR-1707-50S	Blade 50 Finisher	NCR-1707-50F
Blade 52 Starter	NCR-1707-52S	Blade 52 Finisher	NCR-1707-52F
Blade 54 Starter	NCR-1707-54S	Blade 54 Finisher	NCR-1707-54F
Blade 56 Starter	NCR-1707-56S	Blade 56 Finisher	NCR-1707-56F
Blade 58 Starter	NCR-1707-58S	Blade 58 Finisher	NCR-1707-58F
Blade 60 Starter	NCR-1707-60S	Blade 60 Finisher	NCR-1707-60F



Sterilization Tray



The Noviomagus Cup Resector is CE marked. No rights can be derived from the information in this brochure. Other Noviomagus products manufactured by Spierings Orthopaedics B.V. are: Noviomagus Bone Mill, Noviomagus Femoral Head Reamer Set, Noviomagus Revision Meshes, Noviomagus Mini Mill and Noviomagus Bone Harvesting System. Copyright: Spierings Orthopaedics B.V.

Manufactured by Spierings Orthopaedics B.V.

Madoerastraat 24, 6524 LH Nijmegen (NL)

T +31 (0)24 350 16 03

F +31 (0)24 350 16 04

E info@spierings.biz

I www.spierings.biz

BRO-AES001-0 EN

